



Marley
Engineered Products

PEDESTAL AIR CIRCULATOR

READ AND SAVE THESE INSTRUCTIONS!

Your Air Circulator has been designed and manufactured using the latest in technology. However, as with all appliances, it is recommended that you note the following:

- ALWAYS unplug unit for cleaning, wipe with damp cloth and mild detergent.
- ALWAYS unplug when not in use.
- ALWAYS unplug when moving fan from one place to the next.
- DO NOT allow unit to become wet or damp.
- DO NOT oil, motor is permanently lubricated.
- DO NOT put foreign objects through the fan guard into blade.
- WARNING: To reduce the risk of fire and shock, do not use this fan with a solid state speed control device. Plug directly into properly rated service outlet.

ASSEMBLY INSTRUCTIONS

(Read all assembly instructions before beginning with the assembly of the fan.)

- Route motor connector end of the power cord (1) from the bottom of the chrome upper column (2) and out of the oval hole near the top. It may be necessary to use your finger or a pair of needle nose pliers to assist the connector through the oval hole. See figure 1.
- Route the other end of the power cord (1) through the lower column (4) such that the cord exits out the end of the lower column with the flange. Remove the two screws (5) from the collar (6) on the upper column (2). Slide the upper column (2) into the lower column (4). The collar (6) should be inserted into the lower column (4) such that the two threaded holes on the collar (6) line up with the two holes on lower column (4). Insert and tighten the two screws (5). See figure 1.
- Insert round grommets (7) into large holes on base (8). Route power cord (1) from the bottom of the lower column (4) through the center hole and out the hole on the side of the base (8). Mount the column to the base using five 5/16-18x3/4 carriage bolts (9), lock washers (10), and 5/16-18 hex nuts (11). See figure 2.
- Mount the motor assembly (22) to the upper column (2) using 1/2-13x1 bolt (12), 1/2" lock washer (13), 1/2-13 hex nut (14), 1/4-20x1 bolt (15), 1/4" lock washer (16), 1/4-20 hex nut (17). See figure 2.
- Mount the rear guard (18) to the motor studs using flat washers (21), lock washer (19), and hex nuts (20). Note that one flat washer must be placed on each motor stud before the guard is mounted. See figure 3.
- Slide the fan blade onto the shaft. The concave portion of the blade's paddles should face away from the motor. Place blade onto shaft so that there is an equal distance between the front and rear guard to the blade. Tighten the set screw securely against the flat on the motor shaft. CAUTION: Tighten the set screw on flat portion of shaft only.
- Mount the front guard to rear guard by interweaving the hooks of the front and rear guard under the outer ring of the opposite guard. A screwdriver will be required.
- Connect the power cord from the motor to the power cord routed through the pedestal column. Then place the oval shaped rubber grommet (3) around power cord at the oval hole and insert the grommet into the hole. See figure 1.
- Adjust the desired height of the column by loosening the collar locking screw on upper portion of the collar using a hex key wrench. Set the desired height. Make sure the set screw is secured before operating fan.
- For models with wheels on the base, attach wheels (24) to the metal bracket (23) on the base (28), using 1/4-20x2 bolts (27), washer (25), hex nuts (29), and spacers (26). See figure 24.
- Plug power cord from the base directly into a properly rated service outlet.

OPERATING INSTRUCTIONS

To move models having wheels on the base, carefully tip the fan toward the wheels and roll to the new location. To move the models without wheels, it is recommended the fan be carried or tilted on the bases edge and rolled to the next location. Do not drag the fan base while moving fan.

The speed of the fan can be controlled by the switch. The sequence is High, Low, Off or High, Low, Off.

The angle of the fan motor may be adjusted to approximately 40 degrees up to 15 degrees down by loosening the two motor mount bolts. Once adjusted, make sure the bolts are securely tightened before continuing operation.

HOW TO ORDER REPAIR PARTS

In order to obtain any needed repair or replacement parts, warranty service or technical information, please contact Marley Engineered Products Service Center toll-free by calling 1-800-642-HEAT.

When ordering repair parts, always give the information listed as follows:

1. The Part Number
2. The Model Number
3. The Part Description
4. Date of Manufacture

Part No. 5200-2580-000



PPN

06/00

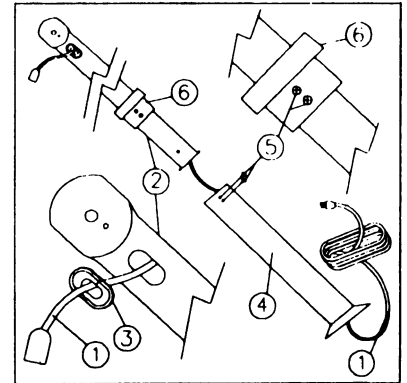


FIGURE 1

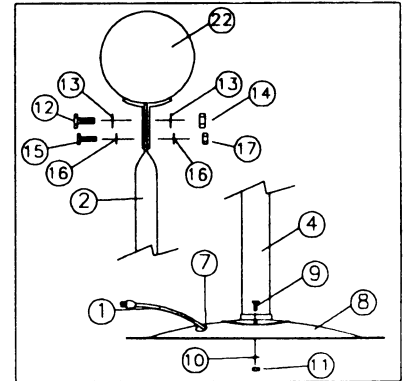


FIGURE 2

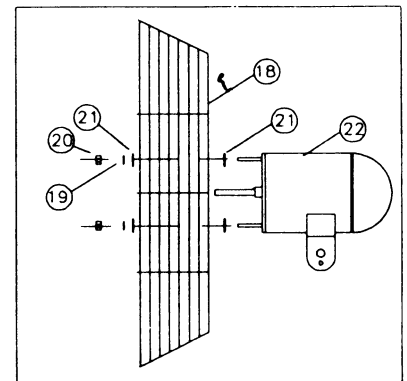


FIGURE 3

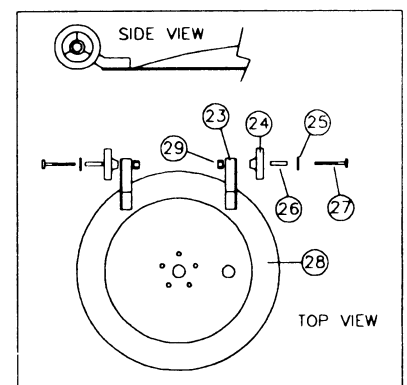


FIGURE 4



Marley
Engineered Products

SPX Corporation
470 Beauty Spot Rd. East
Bennettsville, SC 29512 USA