



Marley
Engineered Products

**Models A564&B674
Radiant Infrared Ceiling Heater
Models B560 & B660W
Radiant Infrared Heater/Fan
Combination**

Installation & Maintenance Instructions

Dear Owner,

Congratulations! Thank you for purchasing this new heater/fan manufactured by a division of Marley Engineered Products. You have made a wise investment selecting the highest quality product in the heating industry. Please carefully read the installation and maintenance instructions shown in this manual. You should enjoy years of efficient heating comfort with this product from Marley Engineered Products... the industry's leader in design, manufacturing, quality and service.

... The Employees of Marley Engineered Products



WARNING



Read Carefully - These instructions are written to help you prevent difficulties that might arise during installation of heaters. Studying the instructions first may save you considerable time and money later. Observe the following procedures, and cut your installation time to a minimum. **CAUTION - TO REDUCE RISK OF FIRE, ELECTRICAL SHOCK OR INJURY TO PERSONS, OBSERVE THE FOLLOWING:**

1. Do not use this fan with any Solid-State speed control device.
2. Use this unit only in the manner intended by the manufacturer. If you have any questions, contact the manufacturer.
3. Before servicing or cleaning unit, switch power off at service panel and lock service panel to prevent power from being switched on accidentally.
4. Installation work and electrical wiring must be done by qualified person(s) in accordance with all applicable codes and standards, including fire-rated construction.
5. Sufficient air is needed for proper combustion and exhausting of gases through the flue (chimney) of fuel burning equipment to prevent back drafting. Follow the heating equipment manufacturer's guideline and safety

standards such as those published by the National Fire Protection Association (NFPA), and the American Society for Heating Refrigeration and Air Conditioning Engineers (ASHRAE), and the local code authorities.

6. When cutting or drilling into wall or ceiling, do not damage electrical wiring or other hidden utilities.
7. Ducted fans must always be vented to the outdoors.
8. If this unit is installed over a tub or shower, it must be marked as appropriate for the application. These units are **NOT** to be installed over a tub or in a shower stall enclosure.
9. Do not install closer than 6" to any adjacent wall.
10. Do not install less than 6' from floor.
11. Install R-40 reflector — type infrared heat lamp/lamps 375-watt maximum (not included).
12. NEVER place a switch where it can be reached from a tub or shower.
13. **CAUTION: For General Ventilating Use Only!** Do not use to exhaust hazardous or explosive materials and vapors.
14. Not for use in kitchens.

SAVE THESE INSTRUCTIONS

DESCRIPTION

The RADIANT INFRARED CEILING HEATERS AND HEATER/FAN COMBINATIONS listed in these instructions are intended for use in restrooms, bathrooms and utility rooms. Any other applications are not approved. All models are U.L. Listed TYPE I.C. (Thermally Protected) for use in insulated ceilings.

IMPORTANT: DO NOT INSTALL OVER A TUB OR SHOWER STALL ENCLOSURE.

UNPACKING

Unpack carefully. If there are missing components or hidden damage, immediately contact your distributor or the delivering carrier concerning discrepancies.

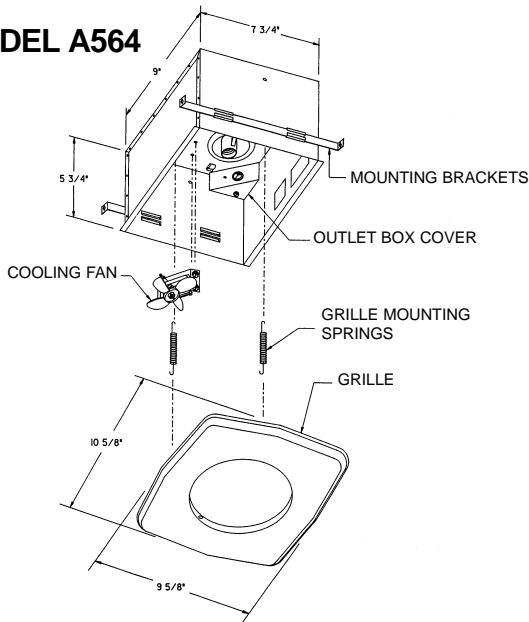
TOOLS

Installation of your Marley Engineered Products heater is easy. No special technical knowledge is needed; only a few ordinary tools are required.

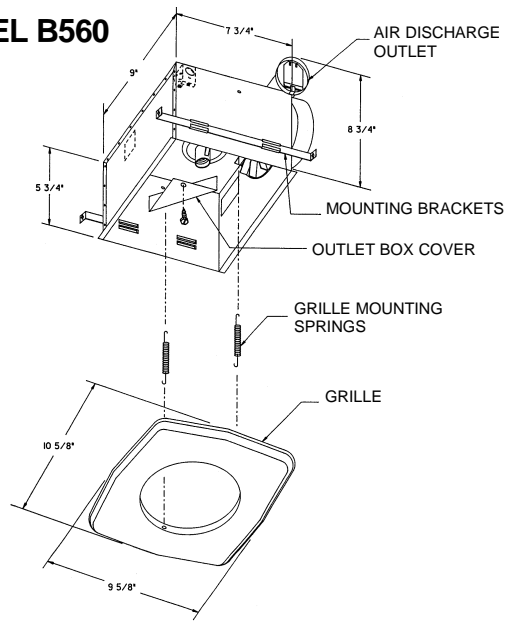
- | | |
|------------------------------------|---|
| Screwdriver | Wire stripper |
| Hammer | Wire nuts and general electrical supplies |
| Saber saw, Keyhole saw, or Jig saw | Safety glasses |
| Electric drill with bit | Ruler and straight edge |
| Wire cutters | |

All hand tools should be insulated. Power tools should display the UL Listing Mark.

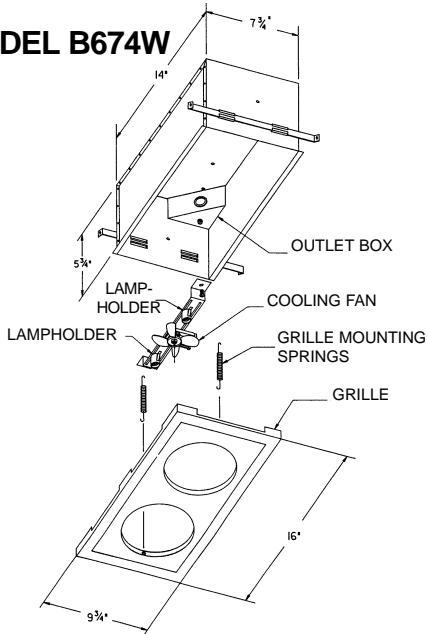
MODEL A564



MODEL B560



MODEL B674W



MODEL B660W

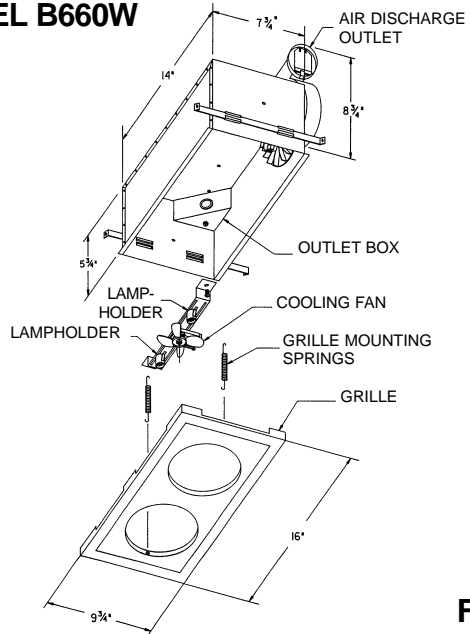


FIG. 1

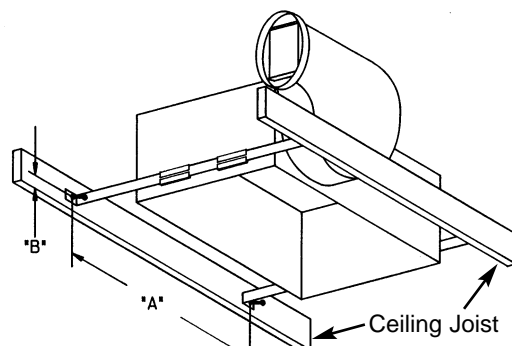
NEW HOME INSTALLATION

1. Insert 4 mounting brackets with angles pointing away from housing. In approximate location between joists where housing will be located, drive 2 nails (see dimensions "A" and "B" in Fig. 2) leaving 1/4" of nail projecting. Position one set of brackets over nails and drop in to place. Extend the remaining mounting brackets to the adjacent joist and repeat nailing procedure. Finish driving nails and adjust housing between ceiling joists.

Note: The housing can not be adjusted closer than 4" to the side of either joist on 24" O.C. construction.

FIG. 2

MODEL NUMBER	DIMENSION "A"
A564	11 1/4"
B560	11 1/4"
B660W	15 3/8"
B674W	15 3/8"
CEILING THICKNESS	DIMENSION "B"
3/8"	1 1/8"
1/2"	1"
3/4"	7/8"



NOTE: BRACKETS MUST BE NAILED FROM ABOVE IF CEILING IS IN PLACE.

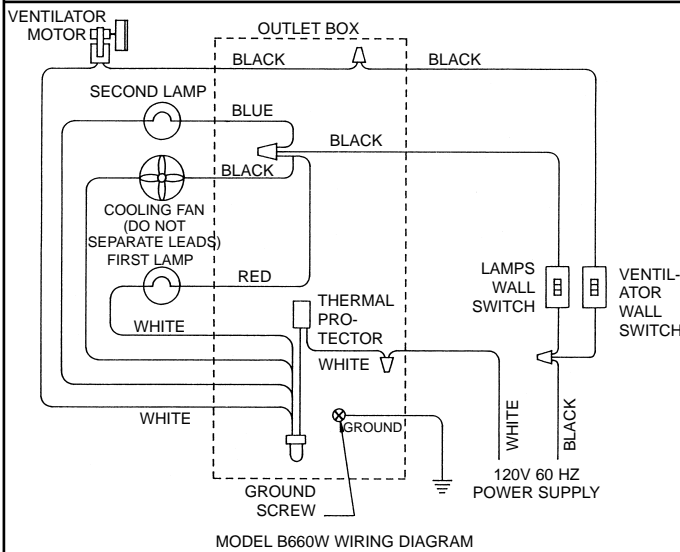
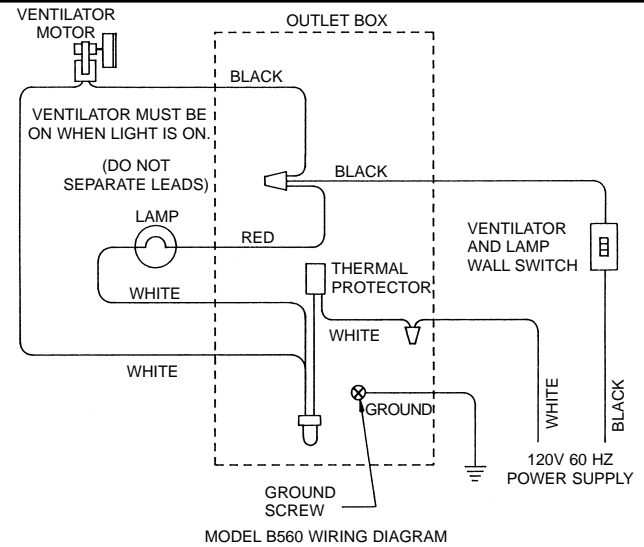
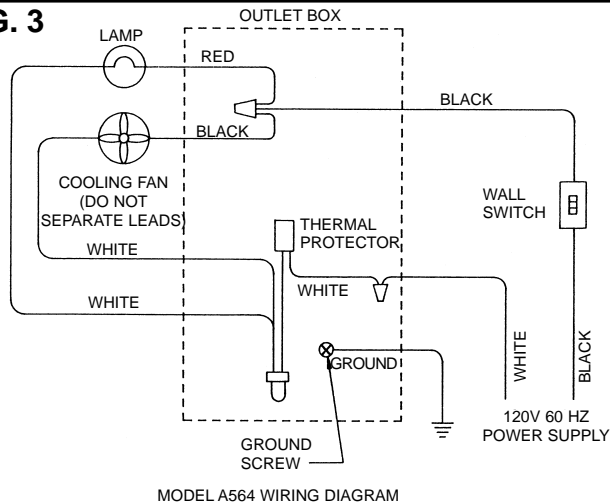
- Remove outlet cover. Run 120VAC, 60Hz power cables from wall switch/switches to appropriate knockout in housing. Remove knockout and install BX or Romex connector in outlet box. (Refer to Fig. 3 for the wiring diagram designated for the model being installed.) Feed cables through the box connector and make connections in outlet box using approved connectors. Connect ground wire to green ground screw.

CAUTION: Do not disconnect or separate any factory installed connections. Cooling fan must be on when lamp/lamps are on.

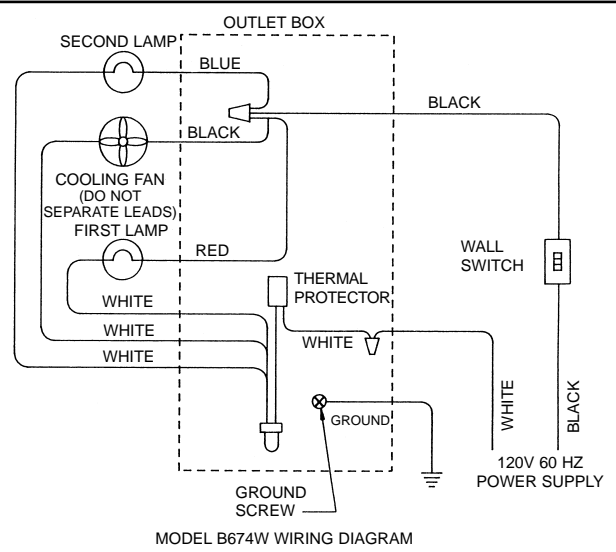
CAUTION 

BE SURE ALL WIRING COMPLIES WITH LOCAL AND NATIONAL ELECTRICAL CODES AND THE UNIT IS PROPERLY GROUNDDED

FIG. 3



3



(Ventilator Models Only)

- Run four inch round duct from ventilator air discharge outlet to wall cap or roof cap. (See Fig. 4)
- Important:** Be sure nothing obstructs the discharge of the ventilator. Take precautions to insure that insulation does not get into duct work or air discharge opening.
- Install grille by hooking one end of the two springs provided in the holes in either end of the housing. Hook the other ends of the springs in the small holes in the grille. (See Fig. 5).
 - Install R-40 reflector-type infrared heat lamp/lamps 375 watt maximum (not included).
 - Insure the grille opening/openings are centered around the lamp/lamps. The lamps may not give satisfactory performance if in contact with the grille.

WARNING 

RISK OF FIRE!
USE OF LAMPS OTHER THAN THOSE SPECIFIED CONSTITUTES A FIRE HAZARD

WARNING 

RISK OF FIRE!
NEVER PLACE ANYTHING IN FRONT OF LAMPS OR BLOCK UNIT IN ANY MANNER.

FIG. 4

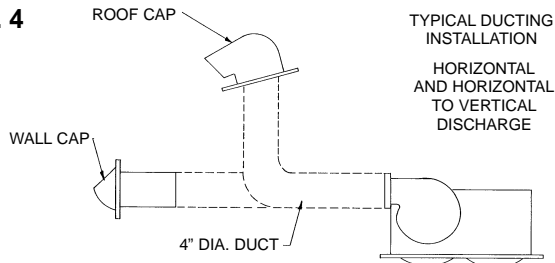
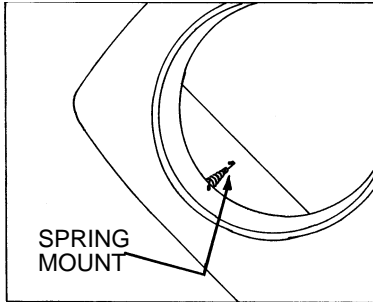


FIG. 5



THERMAL PROTECTION

This unit is Thermally Protected. If the cooling fan stalls or the unit is not field wired in accordance with the wiring Diagrams (Fig. 3), the heat generated by the lamps will cause the protector to cut the unit off. After the unit has cooled off, the protector will switch the unit back on, allowing the lamps to become energized. The unit will again heat up and cut off. This cycle will be repeated over and over unless steps are taken to correct the problem. THIS CONDITION SHOULD NEVER BE ALLOWED TO CONTINUE. If necessary, the unit should be serviced by an authorized representative.

In addition, the ventilator motor has an internal thermal protector in case the ventilator does not start when the ventilator switch is turned on. This condition should be investigated. NEVER LEAVE SWITCH IN "ON" POSITION WHEN VENTILATOR DOES NOT START! Always disconnect unit from power source before servicing it.

SPECIFICATIONS:

MODEL	VOLTS	MAXIMUM WATTS	BTHU	DUCT SIZE	CFM RATING	H.V.I. CERTIFICATION (SQ. FT.)		
						BATH	KITCHEN	OTHER
A564	120	375	1280	N/A	N/A	N/A	N/A	N/A
B560	120	375	1280	4"	70	65	N/A	85
B660W	120	750	2560	4"	70	65	N/A	85
B674W	120	750	2560	N/A	N/A	N/A	N/A	N/A

INSTALLATION IN EXISTING HOMES

- Carefully read all previous installation instructions and follow those applicable to your installation, including ducting and wiring. (See Figs. 3, 4, & 5)
- Drill a small hole in the ceiling from below in proposed location, then locate this hole in the attic.
- In attic, mark ceiling for cutout by using housing as template. **Note: The housing can not be adjusted closer than 4" to the side of either joist on 24" O.C. construction.** Using this line make a cutout about 1/4" larger.
- Place housing with mounting brackets installed into hole and rest mounting brackets on sheetrock. Adjust housing so that it will be flush with the finished ceiling. (See dimension "A" in Fig. 2). Extend and nail all four ends of mounting brackets.
- Perform steps 2 through 6 as for new construction.

LIMITED WARRANTY

Dear Customer,

Thank you for your interest in Marley Engineered Products. We're sure you will enjoy its benefits for many years to come. Please take a minute to fill out the following information and keep it in your permanent records.

Date Purchased _____ Date Installed _____

Model Number _____

LIMITED WARRANTY

This Marley Engineered Products heater is warranted to be free of defects in material and workmanship for 12 months from date of original purchase.

There is no other warranty, express or implied, except such as is expressly set forth herein. Seller will not be liable for any general, consequential, or incidental damages, including without limitation any damages for loss of use or loss of profits, for any breach of warranty or for negligence. Seller's liability and buyer's exclusive remedy are limited to the repair of defective goods or the shipment of equivalent goods, or the granting of a reasonable allowance on account of any defects, as the seller may elect.

To obtain performance under this warranty, you must:

- Contact the Marley Engineered Products Service Department at 1-800-642-HEAT between the hours of 8:00 a.m. and 5:00 p.m. E.S.T. Monday through Friday.
- Provide the model number of the product, the date of installation, and state the nature of the difficulty being experienced.

- The Marley Engineered Products Service Representative will determine the best way to resolve the difficulty.

Products within warranty which have been installed and returned to the seller for repair will be repaired and returned as used products. Repairs to products outside the warranty period will be subject to labor and parts charges.

Some states have enacted legislation which (a) does not allow the inclusion of limitations on incidental or consequential damages; (b) does not allow limitations on the length of a warranty period; (c) precludes exclusion, during the period of a limited warranty, of any implied warranties of merchantability or fitness for purpose.

To the extent of such provisions being applicable in your state, the limitations in this warranty may not apply.

TO ENSURE SAFE OPERATION

- Be sure that this unit is correctly installed and wired by a qualified installer in accordance with the instructions and applicable NEC or equivalent codes.
- Be sure that operating instructions are followed and that moving and heating parts are kept clean and free from obstructions.

Any warranties granted or liabilities assumed hereunder will not apply to goods that have been damaged in transit, altered, repaired, installed or operated otherwise than in conformity with the above requirements for safe operation.

HOW TO ORDER REPAIR PARTS

In order to obtain any needed repair or replacement parts, warranty service or technical information, please contact Marley Engineered Products Service Center toll-free by calling 1-800-642-HEAT.

When ordering repair parts, always give the information listed as follows:

- The Part Number
- The Model Number
- The Part Description
- Date of Manufacture



Marley
Engineered Products

SPX Corporation
470 Beauty Spot Rd. East
Bennettsville, SC 29512 USA