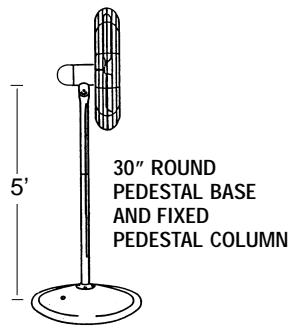
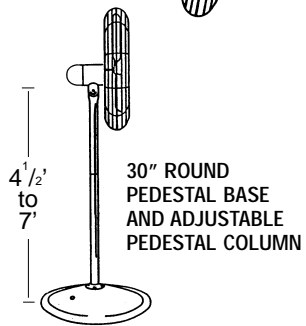
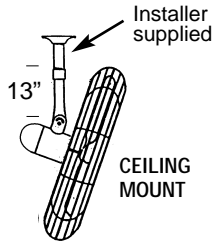
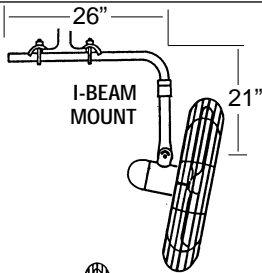
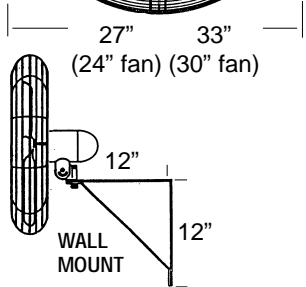
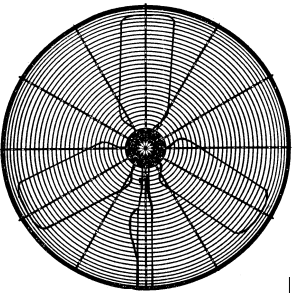


PROJECT _____	ENGINEER _____	SUBMITTED BY _____
DATE _____	ARCHITECT _____	_____
SHEET _____ OF _____	CONTRACTOR _____	_____



SPECIALTY 277V AIR CIRCULATOR HEAD ASSEMBLY SPECIFICATIONS

- 24 and 30" diameter.
- 2 Speed, 1/4 HP, single phase, 277 volt, totally enclosed, permanently lubricated ball bearings, built-in thermal overload protection, permanent split capacitor motor with pull chain switch.
- Rear dome design allows for servicing or replacement of switch or capacitor.
- Precision balanced aluminum blades.
- Coated guards meeting OSHA safety standards.
- U.L. and ETL listed.
- Meets federal OSHA standards.

OPTIONAL MOUNTS

- Fixed Pedestal
- Wall*
- Adjustable Pedestal
- Ceiling*
- I-Beam*

*All wall, ceiling and I-beam mounts come with Secondary Support Cable.



ITEM	QUANTITY	MARK	MODEL NUMBER	BLADE SIZE	FAN STYLE	CFM			RPM			MOTOR H.P.	MAX AMPS	REMARKS
						HI	MED	LOW	HI	MED	LOW			



AIR CIRCULATOR SUBMITTAL SHEET

FORM NUMBER: ZSS-MCIRE